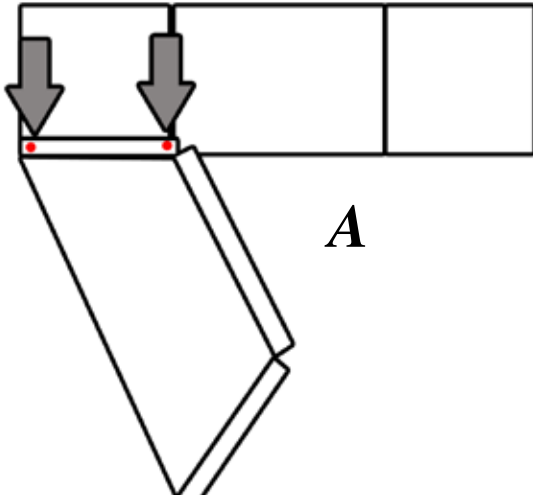


DIDA DISPLAYS

CUSTOMIZABLE VINYL DISPLAYSETS

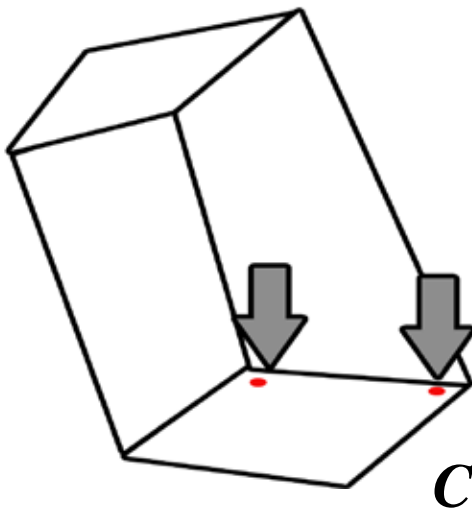
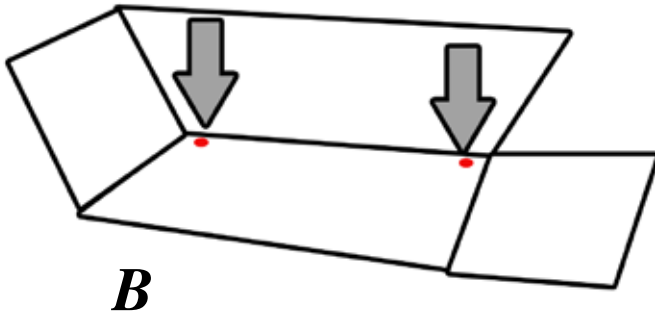
Basic Displaybox Assembly Instructions

Dida Display Boxes can be difficult to snap together at first. They are built to have a tight fit and the snaps are snug. In time the snaps will relax and become easier to snap.* Be gentle when disassembling. In rare cases the snaps may come out of the wall. If so, please contact me for a repair kit.



Snapping walls to floor panel.

1. First, flex the roof panel tabs a bit so they fold easily to a 90 degree angle.
2. Place panels on a flat, firm surface, **but not your nice, fancy table** because it may leave a dimple when you press the snap down.
3. Begin by snapping one of the side panels first (**A**)
OR if the box has a SLIDING DOOR panel start with that first.
4. Fold roof into position and then push middle snaps together. (**B**)
5. Turn box to it's side (**C**) and push the remaining snaps, starting with the one in the corner. This may be the hardest snap to do. If needed, use a tool (the round end of a butter knife, something that won't leave a mark). Be gentle, firm, and patient.
6. Repeat with floor board to complete the box.



General Care Notes:

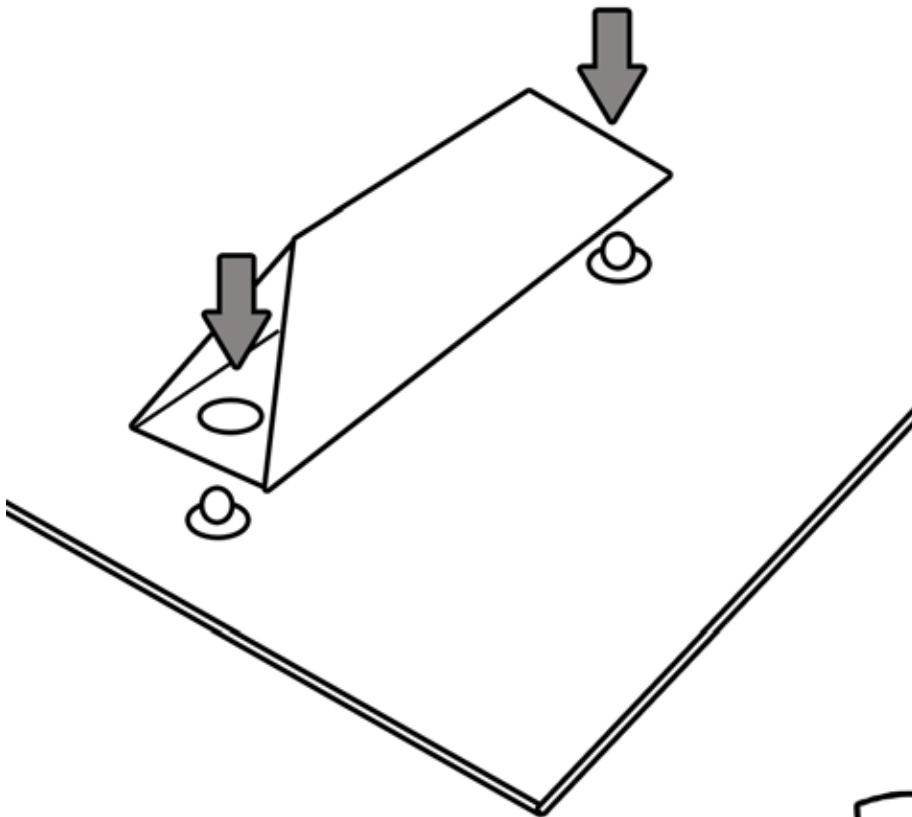
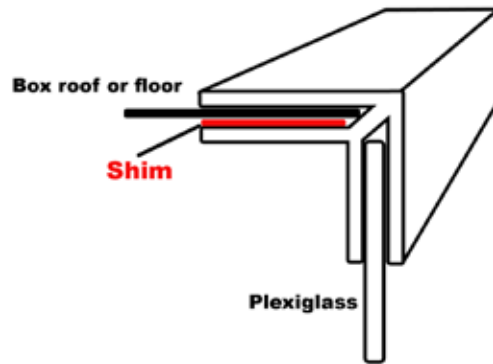
1. Do not expose to prolonged sunlight or heat. Vinyl will wrinkle.
2. Be aware when folding panels for storage that the round point of the snap can dimple the wall it rests against. Use cushioning to store panels.
3. Be gentle when disassembling. In rare cases the snaps may come out of the wall. If so, please contact me for a repair kit. It's easy to fix, just be careful removing the damaged snap. Never attempt to drill a snap out, the vinyl will heat up and melt.



*If snaps become noticeably loose over time: Using a pair of needlenose pliers you can slightly crimp the outside edges of the snap socket to compress the hole.

Adding optional track for plexiglass doors

Plexi-Door kit includes 2 plastic L tracks, plexiglass panel and a cardboard shim. Slip track along the roof or floor edge. Push cardboard shim into the underside of the track for a snug fit with the panel. Slide Plexiglass into vertical tracks.



ATTACHING CONSOLES

Place thumb on snap inside console and push down. In some cases you may find you need to arch the back of the console a bit to get it to meet both snaps cleanly.

If a snap breaks off the wall contact me. Do not try to fix it yourself or you risk further damage to the wall.

INSERTING NEW ARTWORK INTO A WALL:

Cut artwork to size. You may have to trim a few times to find the size that inserts easiest for you. Artwork printed on heavier, stiffer paper works best. For thinner paper, try using a file folder to hold the paper flat and stiff as you slide it into the pocket.

